



NetworX

NetworX[™] Series

**NX-507E RELAY EXPANDER
NX-508E OUTPUT EXPANDER**

Installation and Startup

TABLE OF CONTENTS

I.	GENERAL DESCRIPTION	4
II.	WIRING INFORMATION	4
III.	NX-507E TERMINAL DESCRIPTION	5
IV.	NX-507E DRAWING	5
V.	NX-508E TERMINAL DESCRIPTION	6
VI.	NX-508E DRAWING	6
VII.	INSTALLING THE MODULES	7
VIII.	ENROLLING THE MODULES	7
IX.	PROGRAMMING THE MODULES	7
X.	PROGRAMMING LOCATIONS	8
XI.	PROGRAMMING EXAMPLES	12
XII.	PROGRAMMING WORKSHEETS	13
XIII.	ENCLOSURE DIAGRAM	23
XIV.	SPECIFICATIONS	24

I. GENERAL DESCRIPTION

The NetworX NX-507E and NX-508E are auxiliary modules used to expand the capabilities of the NetworX control panels. While each unit has some unique features described in this section and also in the terminal descriptions, the basic installation and programming instructions are applicable to both modules.

NX-507E SEVEN RELAY EXPANDER

- Microprocessor controlled 7-relay module
- Designed with 7 separate normally open and normally closed relay contacts for a variety of applications, including access control, home control/automation, wireless interfaces, and security functions. **Note:** Access control and home automation have not been verified by UL testing.
- Includes 1 low current trigger output (output 8)
- Up to 8 modules can be connected to the NetworX control panel
- Can be programmed to activate for an event in any or all partitions
- Each relay can be programmed to follow up to 8 different schedules to either activate the relay during the "on" time, or used in conjunction with another programming option to create time zones
- Has an optional tamper switch and auxiliary power terminal (see terminal descriptions) making it ideal for use in a remote location

NX-508E EIGHT OUTPUT EXPANDER

- Microprocessor controlled 8-output module
- Equipped with 8 low current trigger outputs (see terminal drawing)
- Up to 8 modules can be added for a total output count of 64
- Each output can be programmed to follow up to 8 different schedules to either activate the output during the "on" time, or used in conjunction with another programming option to create time zones
- Has an optional tamper switch and auxiliary power terminal (refer to terminal descriptions on pages 5-6) making it ideal for use in a remote location
- Has a built-in parallel interface for local printouts of all communicator activity
- **THE NX-508E MODEL IS NOT LISTED FOR UL COMMERCIAL FIRE.**


II. WIRING INFORMATION



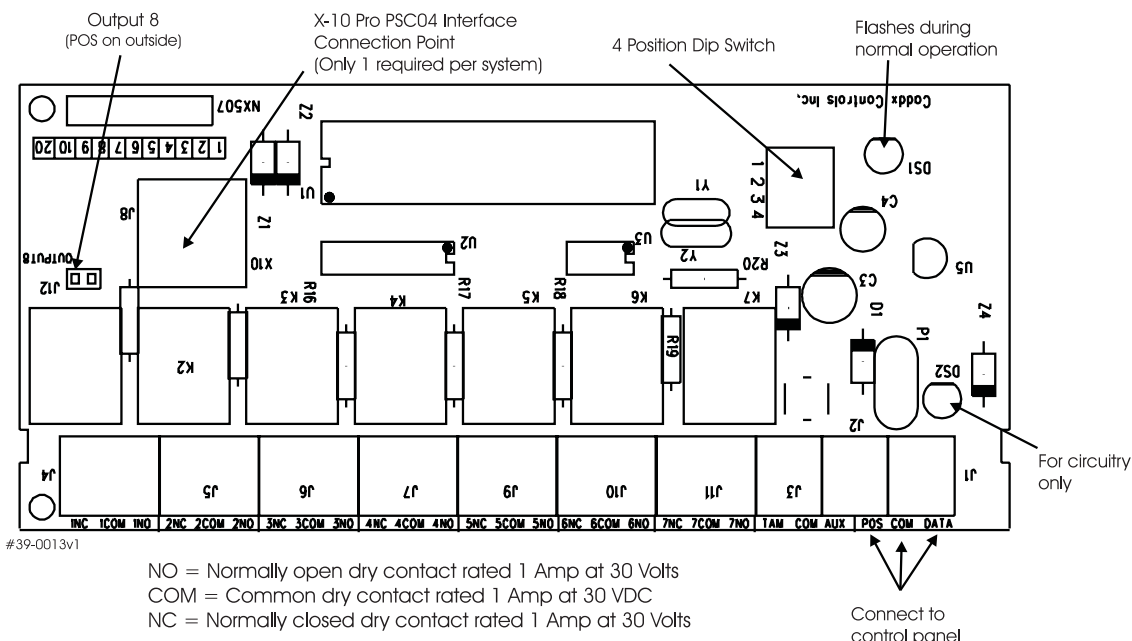
For UL Commercial Fire systems, 18AWG wire shall be used. The NX-507E model shall be mounted in the control unit's enclosure.

NX-507E (ALL RELAYS ACTIVE)	NX-507E (NO RELAYS ACTIVE) and NX-508E			
	Maximum Wire Run When Connected to NX control panel		Maximum Wire Run When Connected to NX-320E	
	Using AUX	NOT using Aux	Using AUX	NOT using Aux
250= = 20 AWG	250= = 24 AWG	250= = 24 AWG	250= = 22 AWG	500= = 22 AWG
500= = 16 AWG	500= = 20 AWG	750= = 24 AWG	500= = 18 AWG	750= = 20 AWG
1000= = 14 AWG	1000= = 18 AWG	1000= = 22 AWG	1000= = 16 AWG	1000= = 20 AWG
1500= = 12 AWG	1500= = 16 AWG	2000= = 20 AWG	1500= = 14 AWG	2000= = 16 AWG
2500= = 10 AWG	2500= = 14 AWG	2500= = 18 AWG	2500= = 12 AWG	2500= = 16 AWG


III. NX-507E TERMINAL DESCRIPTION

DATA	Connect to the control panel DATA terminal. This terminal is the data-signaling terminal to all the devices on the buss.
COM	Connect to the control panel COMMON terminal. This terminal supplies the common side of the power to the NX-507E board.
POS	Connect to control panel AUX POWER + terminal. This terminal supplies power to the NX-507E board.
TAM	This is an option tamper terminal. To use this feature, connect the normally closed tamper switch between this terminal and COM . If this feature is not used, a jumper must be connected between this terminal and common.
COM	Connect to the tamper terminal through a normally closed contact.
AUX	This terminal can supply up to 100 mA fused separate from the power in the control panel.  Any power drain from this terminal should be included in total current draw from the NetworkX control panel or NX-320E Power Supply as applicable. This allows an isolation of the power between the main control and remote devices. If a short is created past the AUX terminal, those devices will cease to function, but the other devices, including the NX-507E, will continue to operate. The NX-507E will report this problem to the control for display on the keypad as an expander power trouble.
RELAY	7NC Normally closed dry contact rated 1 Amp at 30 Volts.
	7COM Common dry contact rated 1 Amp at 30 VDC.
	7NO Normally open dry contact rated 1 Amp at 30 Volts.
RELAYS 1-6	Same as Relay 7 shown above.
OUTPUT 8	Open collector output that switches to GND when activated - capable of up to 100 mA. NOTE: If device is connected to output, it must see the transition from 13V to GND. Part # 8915 can be used to connect to Output 8.

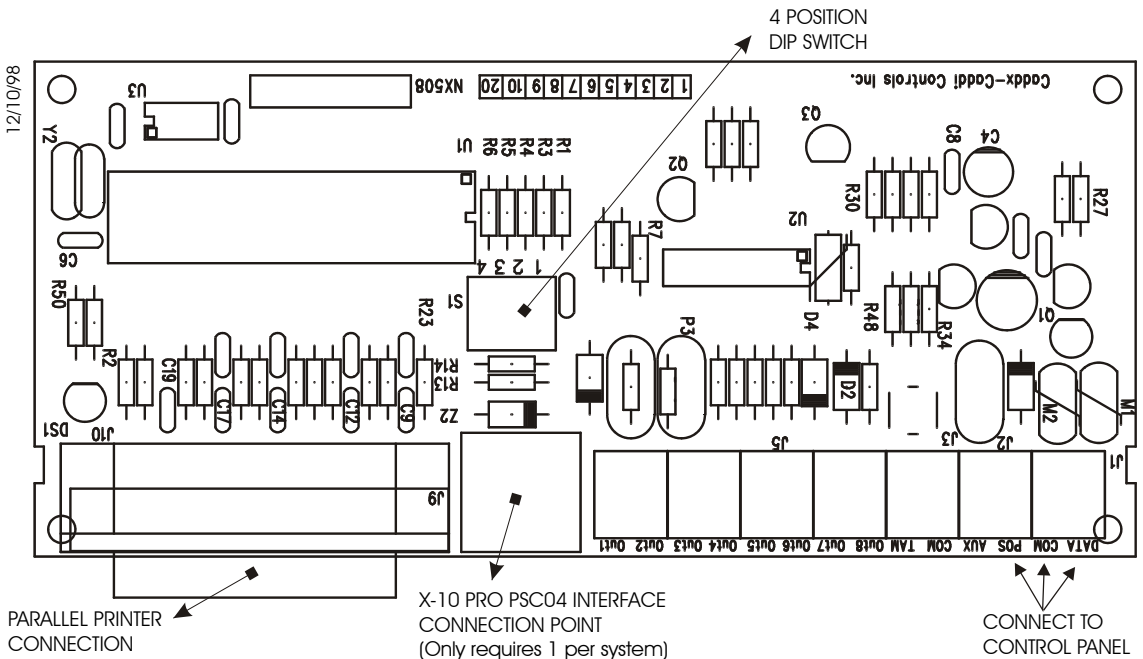
IV. NX-507E DRAWING



V. NX-508E TERMINAL DESCRIPTION

DATA	Connect to the control panel DATA terminal. This terminal is the data-signaling terminal to all the devices on the buss.
COM	Connect to the control panel COMMON terminal. This terminal supplies the common side of the power to the NX-508E board.
POS	Connect to control panel AUX POWER + terminal. This terminal supplies power to the NX-508E board.
TAM	This is an optional tamper terminal. To use this feature, connect the normally closed tamper switch between this terminal and COM . If this feature is not used, a jumper must be connected between this terminal and common.
COM	Connect to the tamper terminal through a normally closed contact.
AUX	This terminal can supply up to 100 mA fused separate from the power in the control panel.  Any power drain from this terminal should be included in total current draw from the NetworkX control panel or NX-320E as applicable. This allows an isolation of the power between the main control and remote devices. If a short is created past the AUX terminal, those devices will cease to function, but the other devices, including the NX-508E, will continue to operate. The NX-508E will report this problem to the control for display on the keypad as an expander power trouble.
Out 1- 8	Open Collector outputs that switch to GND when activated -- capable of up to 100 mA. NOTE: If device is connected to outputs, it must see the transition from 13V to GND. The enclosed resistors must be used. Connect the resistor between AUX and the output being used.

VI. NX-508E DRAWING



VII. INSTALLING THE MODULES

The first thing that must be decided is the address of this particular relay/output module. This is the address that will be selected when programming the auxiliary devices. To set the addresses use the table below.



DipSwitch 4 is used to disable the Tamper feature. ("On" = enabled / "Off" = disabled)

Table VII-1

Address	Dip Switch 1	Dip Switch 2	Dip Switch 3
24	ON	ON	OFF
25	OFF	OFF	ON
26	ON	OFF	ON
27	OFF	ON	ON
28	ON	ON	ON
29	OFF	OFF	OFF
30	ON	OFF	OFF
31	OFF	ON	OFF

VIII. ENROLLING THE MODULES

The NetworX control panels have the ability to automatically find and store in memory the presence of all keypads, zone expanders, wireless receivers, output modules, and any other device on the keypad bus. This allows these devices to be supervised by the control panel. To enroll the devices, enter the Program Mode using the procedure outlined in the control panel Installation Manual. When the Program Mode is exited, the NX control panel will automatically enroll the devices. The enrolling process takes about 12 seconds, during which time the "Service" LED will illuminate. User codes will not be accepted during the enrolling process. Once a module is enrolled, if it is not detected by the control, the "Service" LED will illuminate.

IX. PROGRAMMING THE MODULES

The Program Mode is accessed by entering [*]-[8] (all of the function key LEDs will begin to flash). Enter the "Go To Program" code (default is [9]-[7]-[1]-[3]). If the code was valid, the Service LED will flash, and the function LEDs will illuminate steady, indicating the device to program should be entered. Next, enter the address of the NX-508E you wish to program followed by [#] (refer to Table VII-1 on page 7). At this point, the Armed LED will illuminate while it is waiting for a programming location to be entered. Enter the desired programming location.

The Armed LED will begin to flash while a programming location is being entered. Enter [#]. If this is a valid location, the Armed LED will extinguish, the Ready LED will illuminate, and the binary data for the first segment of this location will be shown on the zone LEDs. To change the data, enter the data followed by [*]. The data will be entered, and the location will automatically increment to the next segment. The data for that segment will be displayed. This procedure is repeated until the last segment is reached. Pressing [#] will exit from this location. To review the data, repeat the above procedure and press [*] without entering data first. Each time [*] is pressed the next segment is displayed. Programming data is always one of two types of data. The first type is numerical, and can take on values from 0-255 or 0-15 depending on the segment size. The second type is a feature selection type. Feature selection data is used to turn features on or off. **LCD Keypad Users Note:** All steps required for programming are the same as the aforementioned LED keypad. The LCD keypad display will prompt you for the data required. While in the programming mode, and not in a location, the number in parenthesis is the location you were previously changing. For example, if the display reads "Enter location, then # (5)", it is reminding you that location 5 was the last location you programmed. In feature selection data, the numbers of the enabled features will be displayed. The features **not** enabled will display a hyphen (-).

X. PROGRAMMING LOCATIONS

Location 0 Programming the Event, Zone and Time for Output 1

(3 segments of numerical data) Location 0 is used to select the particular function, zone number, and time for an output to trip.

Segment 1 (EVENT) Selects the event that will trigger the output. See chart below for the specific events that can be selected.

Segment 2 (ZONE/USER) Selects the zone or user number necessary to trigger an output. If this location is programmed as a zero, any zone or user will activate the output. (See also loc. 68, page 10)

Segment 3 (TIME) Selects the amount of time an output will remain activated when an output triggers. If this location is programmed as a zero, the output will follow the particular event.

#	Event	#	Event	#	Event
0 ✓	Burglary Alarm	20	Entry or Exit	40	Box Tamper
1 ✓	Fire Alarm	21	Armed	41	Siren Tamper
2 ✓	24 Hour Alarm	22	Not Armed	42	Any Zone Faulted
3 ✓	Zone Trouble	23	Ready	43 ✓	Any Alarm
4 ✓	Zone Tamper	24	Not Ready	44	Keypad Beeping
5	Burglary Siren	25	Fire	45 ✓	Code Entry
6	Fire Siren	26	Fire Trouble	46 ☒	Key FOB Function 1
7	Any Siren	27	Chime	47 ☒	Key FOB Function 2
8	Zone Bypass	28 ✓	Expander Trouble	48	Auto Arm Control
9	AC Failure	29	Dynamic Battery Test	49	Auto Disarm Control
10	System Low Battery	30	Open Schedule ♦	50	Auto Arm & Disarm Control
11 ✓	Duress	31	Closed Schedule ♦	51	Follow schedule of NX-508E
12 ✓	Manual Fire	32	Listen In	52	Flash X-10 for Alarm Memory
13 ✓	Aux 2 Keypad	33	Line Seizure	53	Flash X-10 for Siren
14 ✓	Keypad Panic	34	Failed to Communicate	54	Armed Away (Exit Expired)
15	Keypad Tamper	35	Telephone Line Fault	55	End Listen In (Integrated Only)
16 ✓	Automatic Test	36	Program Mode	56	Follow X-10 Command
17	Alarm Memory	37	Download	57	Armed Stay
18	Entry	38	Ground Fault		
19	Exit	39	Over Current		

- ♦ See loc. 52 & 53 in NX control panel
- ✓ If set to follow condition, these events will be 1 second.
- ☒ Events 46 & 47 require NX-408E, NX-416E, or NX-448E wireless receivers to operate. Events 48, 49, and 50 will arm or disarm the NX control panel at the open (disarm) or close (arm) time for the appropriate schedule. See example 3 on page 12.

Location 1 Programming Special Functions and Partitions for Output 1

(2 segments of binary data)

Segment 1 Selects the following special conditions:

- LED 1 - "On" if output should time in minutes; "Off" if output times in seconds.
- LED 2 - "On" if output should latch until a code is entered.
- LED 3 - "On" if output should reset if a code is entered while it is being timed.
- LED 4 - "On" if output should only trigger during a closed schedule.
- LED 5 - "On" if output should only trigger during an open schedule.
- LED 6 - "On" if the output should be inverted.
- LED 7 - "On" if a trigger should be logged in the event buffer. See chart.

Address	Output
24	1-8
25	9-16
26	17-24
27	25-32
28	33-40
29	41-48
30	49-56
31	57-64

Segment 2 Selects the following partitions:

- LED 1 - "On" if the event should activate when it occurs in Partition 1.
- LED 2 - "On" if the event should activate when it occurs in Partition 2.
- LED 3 - "On" if the event should activate when it occurs in Partition 3.
- LED 4 - "On" if the event should activate when it occurs in Partition 4.
- LED 5 - "On" if the event should activate when it occurs in Partition 5.
- LED 6 - "On" if the event should activate when it occurs in Partition 6.
- LED 7 - "On" if the event should activate when it occurs in Partition 7.
- LED 8 - "On" if the event should activate when it occurs in Partition 8.

Location 2 Enabling the Schedules for Output 1

(1 segment of binary data) Location 2 is used to enable any or all of the eight (8) schedules. LED 1 corresponds to Schedule 1 (see locations 32-34, page 9) and LED 8 corresponds to Schedule 8 (see locations 53-55, page 10). This location can be used in conjunction with the Special Function location to create an output that will only activate during certain times and/or certain days.

- LED 1 - "On" if the event should follow Schedule 1.
- LED 2 - "On" if the event should follow Schedule 2.
- LED 3 - "On" if the event should follow Schedule 3.
- LED 4 - "On" if the event should follow Schedule 4.
- LED 5 - "On" if the event should follow Schedule 5.
- LED 6 - "On" if the event should follow Schedule 6.
- LED 7 - "On" if the event should follow Schedule 7.
- LED 8 - "On" if the event should follow Schedule 8.

Location 3 Programming the X-10 Address for Output 1

(2 segments of numerical data)

Segment 1 Program a number from 0-15 to represent the corresponding X-10 **Module Number** from the following table.

Module	1	2	3	4	5	6	7	8	9	10	11	12	13	14	15	16
Seg 1	0	1	2	3	4	5	6	7	8	9	10	11	12	13	14	15

Segment 2 Program a number from 0-15 to represent the corresponding X-10 **House code** from the following table.

X-10 ADDRESS CODES			
0=A	4=E	8=I	12=M
1=B	5=F	9=J	13=N
2=C	6=G	10=K	14=O
3=D	7=H	11=L	15=P

Locations 4 - 31 Programming For Outputs 2- 8

Locations 4 - 31 are used to program the events, zones and times, as well as the special functions, partitions, schedules and X-10 addresses for Outputs 2 - 8. Each output has four locations that are programmed with the same steps as Output 1 described previously. Refer to Output 1 for specific instructions (locations 0 - 3, pages 8-9). Also refer to the worksheets beginning on page 13.

Location 32 Programming the Opening Time for Schedule 1

(2 segments of numerical data)

- Segment 1** Program the hour of the opening time in 24-hour format. (1:00 PM = 13)
- Segment 2** Program the minutes after the hour of the opening time for Schedule 1.

Location 33 Programming the Closing Time for Schedule 1

(2 segments of numerical data)

Segment 1 Program the hour of the closing time in 24-hour format. (1:00 PM = 13)**Segment 2** Program the minutes after the hour of the closing time for Schedule 1.**Location 34 Programming the Days for Schedule 1**

(1 segment of numerical data)

LED	DESCRIPTION
1	"On" if the schedule is active on Sunday.
2	"On" if the schedule is active on Monday.
3	"On" if the schedule is active on Tuesday.
4	"On" if the schedule is active on Wednesday.
5	"On" if the schedule is active on Thursday.
6	"On" if the schedule is active on Friday.
7	"On" if the schedule is active on Saturday.
8	"On" if the schedule is disabled on holidays.

Locations 35 - 55 Programming for Schedules 2-8

(2 segments of numerical data) Locations 35 - 55 are used to program the opening times, closing times, and days for Schedules 2 - 8. Each schedule has three locations that are programmed with the same steps as Schedule 1 described previously. Refer to Schedule 1 (locations 32 - 34 above) for specific instructions and the worksheets beginning on page 13.

Location 56 Programming the Date of Holidays in January

(8 segments of numerical data) Program the day of the month in January that the Opening time in a schedule is suppressed. For example, if the opening should not occur on January 1, program a "1" in Segment 1. This feature can be repeated up to a maximum of 8 holidays per location (month).

Locations 57-67 Programming the Date of Holidays from February to December

(8 segments of numerical data) Locations 57 - 67 are used to program the day of each month, from February to December, in which the Opening time in a schedule is suppressed. Each location will accommodate up to a maximum of 8 holidays, and programmed with the same steps as Location 56 described previously. Refer to worksheets.

Locations 68-91 Authorizing Users for Outputs 1-8

(10 segments of binary data) When activating outputs with a user code (event #45), locations 68-91 can be used to restrict certain codes from activating certain outputs. At factory default, all users have full authorization. Each location contains 10 segments. The LEDs correspond to outputs 1 - 8. Refer to Table X-1 on page 11

Location 68 Authorizing Users 1-10

Segment 1 corresponds to user 1; Segment 10 corresponds to user 10.

NOTE: To use locations 68-91, a "0" must be programmed in segment 2 (zone/user) of the corresponding output. Refer to Seg 2 of Loc. 0. (See also locations 4, 8, 12, 16, 20, 24, 28)

Location 69 Authorizing Users 11-20

Segment 1 corresponds to user 11; Segment 10 corresponds to user 20.

Location 70 Authorizing Users 21-30

Segment 1 corresponds to user 21; Segment 10 corresponds to user 30.

Location 71 Authorizing Users 31-40

Segment 1 corresponds to user 31; Segment 10 corresponds to user 40.

Location 72 Authorizing Users 41-50

Segment 1 corresponds to user 41; Segment 10 corresponds to user 50.

Location 73 Authorizing Users 51-60

Segment 1 corresponds to user 51; Segment 10 corresponds to user 60.

- Location 74 Authorizing Users 61-70**
Segment 1 corresponds to user 61; Segment 10 corresponds to user 70.
- Location 75 Authorizing Users 71-80**
Segment 1 corresponds to user 71; Segment 10 corresponds to user 80.
- Location 76 Authorizing Users 81-90**
Segment 1 corresponds to user 81; Segment 10 corresponds to user 90.
- Location 77 Authorizing Users 91-100**
Segment 1 corresponds to user 91; Segment 9 corresponds to user 100.
- Location 78 Authorizing Users 101-110**
Segment 1 corresponds to user 101; Segment 10 corresponds to user 110.
- Location 79 Authorizing Users 111-120**
Segment 1 corresponds to user 111; Segment 10 corresponds to user 120.
- Location 80 Authorizing Users 121-130**
Segment 1 corresponds to user 121; Segment 10 corresponds to user 130.
- Location 81 Authorizing Users 131-140**
Segment 1 corresponds to user 131; Segment 10 corresponds to user 140.
- Location 82 Authorizing Users 141-150**
Segment 1 corresponds to user 141; Segment 10 corresponds to user 150.
- Location 83 Authorizing Users 151-160**
Segment 1 corresponds to user 151; Segment 10 corresponds to user 160.
- Location 84 Authorizing Users 161-170**
Segment 1 corresponds to user 161; Segment 10 corresponds to user 170.
- Location 85 Authorizing Users 171-180**
Segment 1 corresponds to user 171; Segment 10 corresponds to user 180.
- Location 86 Authorizing Users 181-190**
Segment 1 corresponds to user 181; Segment 10 corresponds to user 190.
- Location 87 Authorizing Users 191-200**
Segment 1 corresponds to user 191; Segment 10 corresponds to user 200.
- Location 88 Authorizing Users 201-210**
Segment 1 corresponds to user 201; Segment 10 corresponds to user 210.
- Location 89 Authorizing Users 211-220**
Segment 1 corresponds to user 211; Segment 10 corresponds to user 220.
- Location 90 Authorizing Users 221-230**
Segment 1 corresponds to user 221; Segment 10 corresponds to user 230.
- Location 91 Authorizing Users 231-240 for Outputs 1-8**
Segment 1 corresponds to user 231; Segment 10 corresponds to user 240.

Table X-1

LED	DESCRIPTION
1	"On" if code will activate Output 1; "Off" if it will not.
2	"On" if code will activate Output 2; "Off" if it will not.
3	"On" if code will activate Output 3; "Off" if it will not.
4	"On" if code will activate Output 4; "Off" if it will not.
5	"On" if code will activate Output 5; "Off" if it will not.
6	"On" if code will activate Output 6; "Off" if it will not.
7	"On" if code will activate Output 7; "Off" if it will not.
8	"On" if code will activate Output 8; "Off" if it will not.

XI. PROGRAMMING EXAMPLES

Possible application for NX-508E outputs:

- Example #1 Turn on entryway light upon entry only during nighttime.
- Example #2 Turn a device on or off during business hours.
- Example #3 Arm the system. *NOTE TO EXAMPLE #3: The opening time is defaulted to 0800 for all schedules. With this example, the NX-508E will try to Auto Arm after every 45 minutes of inactivity on the Ready LED, from closing time to opening time.*

(Feature Selections to be programmed are shown in ***bold italics*** text.)

Example #1 To have Output #1 trip and activate an X-10 module with House code C and Unit Code 4 for 6 minutes when Zone 1 is faulted only from 5:00 p.m. to 9:00 a.m., program the following:

LOC	SEGMENT		
	1	2	3
0	42	1	6
1	<i>LED</i>		
	<i>1</i>		
	<i>2</i>		
	<i>3</i>		
	<i>4</i>		
	<i>5</i>		
	<i>6</i>		
	<i>7</i>		
2	<i>1</i>		
	<i>2</i>		
	<i>3</i>		
	<i>4</i>		
	<i>5</i>		
	<i>6</i>		
	<i>7</i>		
	<i>8</i>		
3	3	2	
32	9	0	
33	17	0	
34	<i>1</i>		
	<i>2</i>		
	<i>3</i>		
	<i>4</i>		
	<i>5</i>		
	<i>6</i>		
	<i>7</i>		
	<i>8</i>		

Example #2 To have output 5 trip and activate an X-10 module with a House code of P and a Unit code of 8 from 9:00 a.m. to 5:00 p.m. Monday to Friday, but not at all on Saturday or Sunday, program the following:

LOC	SEGMENT		
	1	2	3
16	51	0	0
17	<i>LED</i>		
	<i>1</i>		
	<i>2</i>		
	<i>3</i>		
	<i>4</i>		
	<i>5</i>		
	<i>6</i>		
	<i>7</i>		
18	<i>1</i>		
	<i>2</i>		
	<i>3</i>		
	<i>4</i>		
	<i>5</i>		
	<i>6</i>		
	<i>7</i>		
	<i>8</i>		
19	7	15	
32	9	0	
33	17	0	

Example #3 To have Output 3 Auto Arm partitions #1 & 2 at 7:00 p.m. Monday thru Friday, 9:00 p.m. Saturday, but not at all on Sunday, program the following:

LOC	SEGMENT		
	1	2	3
8	48	3	10
9		<i>LED</i>	
		<i>1</i>	
		<i>2</i>	
		<i>3</i>	
		<i>4</i>	
		<i>5</i>	
		<i>6</i>	
		<i>7</i>	
10	<i>1</i>		
	<i>2</i>		
	<i>3</i>		
	<i>4</i>		
	<i>5</i>		
	<i>6</i>		
	<i>7</i>		
	<i>8</i>		
33	19	0	
36	21	0	
37	<i>1</i>	0	
	<i>2</i>		
	<i>3</i>		
	<i>4</i>		
	<i>5</i>		
	<i>6</i>		
	<i>7</i>		
	<i>8</i>		
38	0	0	
39	23	59	
40	<i>1</i>		
	<i>2</i>		
	<i>3</i>		
	<i>4</i>		
	<i>5</i>		
	<i>6</i>		
	<i>7</i>		
	<i>8</i>		

XII. PROGRAMMING WORKSHEETS

(Defaults are printed in ***bold Italics*** text.)

LOC	PG	DESCRIPTION	DEFAULT	DATA																		
0	8	Output 1 Event, Zone, Time	43 1 10	---																		
1	8	Output 1 Special Functions, Partition																				
		<table border="1"> <thead> <tr> <th>Segment 1</th> <th>Segment 2</th> </tr> </thead> <tbody> <tr> <td> 1 = "On" if output should time in minutes; "Off" if output times in seconds <input type="checkbox"/> 2 = "On" if output should latch until a code is entered <input type="checkbox"/> 3 = "On" if output should reset if a code is entered while it is being timed <input type="checkbox"/> 4 = "On" if output should only trigger during a closed schedule <input type="checkbox"/> 5 = "On" if output should only trigger during an open schedule <input type="checkbox"/> 6 = "On" if the output should be inverted <input type="checkbox"/> 7 = "On" if a trigger should be logged in event buffer <input type="checkbox"/> </td> <td> 1 = Partition 1 <input type="checkbox"/> 2 = Partition 2 <input type="checkbox"/> 3 = Partition 3 <input type="checkbox"/> 4 = Partition 4 <input type="checkbox"/> 5 = Partition 5 <input type="checkbox"/> 6 = Partition 6 <input type="checkbox"/> 7 = Partition 7 <input type="checkbox"/> 8 = Partition 8 <input type="checkbox"/> </td> </tr> </tbody> </table>	Segment 1	Segment 2	1 = "On" if output should time in minutes; "Off" if output times in seconds <input type="checkbox"/> 2 = "On" if output should latch until a code is entered <input type="checkbox"/> 3 = "On" if output should reset if a code is entered while it is being timed <input type="checkbox"/> 4 = "On" if output should only trigger during a closed schedule <input type="checkbox"/> 5 = "On" if output should only trigger during an open schedule <input type="checkbox"/> 6 = "On" if the output should be inverted <input type="checkbox"/> 7 = "On" if a trigger should be logged in event buffer <input type="checkbox"/>	1 = Partition 1 <input type="checkbox"/> 2 = Partition 2 <input type="checkbox"/> 3 = Partition 3 <input type="checkbox"/> 4 = Partition 4 <input type="checkbox"/> 5 = Partition 5 <input type="checkbox"/> 6 = Partition 6 <input type="checkbox"/> 7 = Partition 7 <input type="checkbox"/> 8 = Partition 8 <input type="checkbox"/>																
Segment 1	Segment 2																					
1 = "On" if output should time in minutes; "Off" if output times in seconds <input type="checkbox"/> 2 = "On" if output should latch until a code is entered <input type="checkbox"/> 3 = "On" if output should reset if a code is entered while it is being timed <input type="checkbox"/> 4 = "On" if output should only trigger during a closed schedule <input type="checkbox"/> 5 = "On" if output should only trigger during an open schedule <input type="checkbox"/> 6 = "On" if the output should be inverted <input type="checkbox"/> 7 = "On" if a trigger should be logged in event buffer <input type="checkbox"/>	1 = Partition 1 <input type="checkbox"/> 2 = Partition 2 <input type="checkbox"/> 3 = Partition 3 <input type="checkbox"/> 4 = Partition 4 <input type="checkbox"/> 5 = Partition 5 <input type="checkbox"/> 6 = Partition 6 <input type="checkbox"/> 7 = Partition 7 <input type="checkbox"/> 8 = Partition 8 <input type="checkbox"/>																					
2	9	Output 1 Schedule																				
		<table border="1"> <tbody> <tr> <td>1 = Schedule 1 <input type="checkbox"/></td> <td>5 = Schedule 5 <input type="checkbox"/></td> </tr> <tr> <td>2 = Schedule 2 <input type="checkbox"/></td> <td>6 = Schedule 6 <input type="checkbox"/></td> </tr> <tr> <td>3 = Schedule 3 <input type="checkbox"/></td> <td>7 = Schedule 7 <input type="checkbox"/></td> </tr> <tr> <td>4 = Schedule 4 <input type="checkbox"/></td> <td>8 = Schedule 8 <input type="checkbox"/></td> </tr> </tbody> </table>	1 = Schedule 1 <input type="checkbox"/>	5 = Schedule 5 <input type="checkbox"/>	2 = Schedule 2 <input type="checkbox"/>	6 = Schedule 6 <input type="checkbox"/>	3 = Schedule 3 <input type="checkbox"/>	7 = Schedule 7 <input type="checkbox"/>	4 = Schedule 4 <input type="checkbox"/>	8 = Schedule 8 <input type="checkbox"/>												
1 = Schedule 1 <input type="checkbox"/>	5 = Schedule 5 <input type="checkbox"/>																					
2 = Schedule 2 <input type="checkbox"/>	6 = Schedule 6 <input type="checkbox"/>																					
3 = Schedule 3 <input type="checkbox"/>	7 = Schedule 7 <input type="checkbox"/>																					
4 = Schedule 4 <input type="checkbox"/>	8 = Schedule 8 <input type="checkbox"/>																					
3	9	Output 1 X-10 Address																				
		Segment 1 Module Number	0																			
		Segment 2 House Code <table border="1" style="margin-left: 20px;"> <thead> <tr> <th colspan="4">X-10 ADDRESS CODES</th> </tr> </thead> <tbody> <tr> <td>0=A</td> <td>4=E</td> <td>8=I</td> <td>12=M</td> </tr> <tr> <td>1=B</td> <td>5=F</td> <td>9=J</td> <td>13=N</td> </tr> <tr> <td>2=C</td> <td>6=G</td> <td>10=K</td> <td>14=O</td> </tr> <tr> <td>3=D</td> <td>7=H</td> <td>11=L</td> <td>15=P</td> </tr> </tbody> </table>	X-10 ADDRESS CODES				0=A	4=E	8=I	12=M	1=B	5=F	9=J	13=N	2=C	6=G	10=K	14=O	3=D	7=H	11=L	15=P
X-10 ADDRESS CODES																						
0=A	4=E	8=I	12=M																			
1=B	5=F	9=J	13=N																			
2=C	6=G	10=K	14=O																			
3=D	7=H	11=L	15=P																			
4	9	Output 2 Event, Zone, Time	43 2 10	---																		
5	9	Output 2 Special Functions, Partition																				
		<table border="1"> <thead> <tr> <th>Segment 1</th> <th>Segment 2</th> </tr> </thead> <tbody> <tr> <td> 1 = "On" if output should time in minutes; "Off" if output times in seconds <input type="checkbox"/> 2 = "On" if output should latch until a code is entered <input type="checkbox"/> 3 = "On" if output should reset if a code is entered while it is being timed <input type="checkbox"/> 4 = "On" if output should only trigger during a closed schedule <input type="checkbox"/> 5 = "On" if output should only trigger during an open schedule <input type="checkbox"/> 6 = "On" if the output should be inverted <input type="checkbox"/> 7 = "On" if a trigger should be logged in event buffer <input type="checkbox"/> </td> <td> 1 = Partition 1 <input type="checkbox"/> 2 = Partition 2 <input type="checkbox"/> 3 = Partition 3 <input type="checkbox"/> 4 = Partition 4 <input type="checkbox"/> 5 = Partition 5 <input type="checkbox"/> 6 = Partition 6 <input type="checkbox"/> 7 = Partition 7 <input type="checkbox"/> 8 = Partition 8 <input type="checkbox"/> </td> </tr> </tbody> </table>	Segment 1	Segment 2	1 = "On" if output should time in minutes; "Off" if output times in seconds <input type="checkbox"/> 2 = "On" if output should latch until a code is entered <input type="checkbox"/> 3 = "On" if output should reset if a code is entered while it is being timed <input type="checkbox"/> 4 = "On" if output should only trigger during a closed schedule <input type="checkbox"/> 5 = "On" if output should only trigger during an open schedule <input type="checkbox"/> 6 = "On" if the output should be inverted <input type="checkbox"/> 7 = "On" if a trigger should be logged in event buffer <input type="checkbox"/>	1 = Partition 1 <input type="checkbox"/> 2 = Partition 2 <input type="checkbox"/> 3 = Partition 3 <input type="checkbox"/> 4 = Partition 4 <input type="checkbox"/> 5 = Partition 5 <input type="checkbox"/> 6 = Partition 6 <input type="checkbox"/> 7 = Partition 7 <input type="checkbox"/> 8 = Partition 8 <input type="checkbox"/>																
Segment 1	Segment 2																					
1 = "On" if output should time in minutes; "Off" if output times in seconds <input type="checkbox"/> 2 = "On" if output should latch until a code is entered <input type="checkbox"/> 3 = "On" if output should reset if a code is entered while it is being timed <input type="checkbox"/> 4 = "On" if output should only trigger during a closed schedule <input type="checkbox"/> 5 = "On" if output should only trigger during an open schedule <input type="checkbox"/> 6 = "On" if the output should be inverted <input type="checkbox"/> 7 = "On" if a trigger should be logged in event buffer <input type="checkbox"/>	1 = Partition 1 <input type="checkbox"/> 2 = Partition 2 <input type="checkbox"/> 3 = Partition 3 <input type="checkbox"/> 4 = Partition 4 <input type="checkbox"/> 5 = Partition 5 <input type="checkbox"/> 6 = Partition 6 <input type="checkbox"/> 7 = Partition 7 <input type="checkbox"/> 8 = Partition 8 <input type="checkbox"/>																					

LOC	PG	DESCRIPTION	DEFAULT	DATA						
6	9	Output 2 Schedule								
		<table border="0"> <tr> <td>1 = Schedule 1 <input type="checkbox"/></td> <td>5 = Schedule 5 <input type="checkbox"/></td> </tr> <tr> <td>2 = Schedule 2 <input type="checkbox"/></td> <td>6 = Schedule 6 <input type="checkbox"/></td> </tr> <tr> <td>3 = Schedule 3 <input type="checkbox"/></td> <td>7 = Schedule 7 <input type="checkbox"/></td> </tr> <tr> <td>4 = Schedule 4 <input type="checkbox"/></td> <td>8 = Schedule 8 <input type="checkbox"/></td> </tr> </table>	1 = Schedule 1 <input type="checkbox"/>	5 = Schedule 5 <input type="checkbox"/>	2 = Schedule 2 <input type="checkbox"/>	6 = Schedule 6 <input type="checkbox"/>	3 = Schedule 3 <input type="checkbox"/>	7 = Schedule 7 <input type="checkbox"/>	4 = Schedule 4 <input type="checkbox"/>	8 = Schedule 8 <input type="checkbox"/>
1 = Schedule 1 <input type="checkbox"/>	5 = Schedule 5 <input type="checkbox"/>									
2 = Schedule 2 <input type="checkbox"/>	6 = Schedule 6 <input type="checkbox"/>									
3 = Schedule 3 <input type="checkbox"/>	7 = Schedule 7 <input type="checkbox"/>									
4 = Schedule 4 <input type="checkbox"/>	8 = Schedule 8 <input type="checkbox"/>									
7	9	Output 2 X-10 Address								
		Segment 1 Module Number	1							
		Segment 2 House Code (See chart on page 13)	0							
8	9	Output 3 Event, Zone, Time	43 3 10	---						
9	9	Output 3 Special Functions, Partition								
		<table border="0"> <tr> <th>Segment 1</th> <th>Segment 2</th> </tr> <tr> <td> 1 = "On" if output should time in minutes; "Off" if output times in seconds <input type="checkbox"/> 2 = "On" if output should latch until a code is entered <input type="checkbox"/> 3 = "On" if output should reset if a code is entered while it is being timed <input type="checkbox"/> 4 = "On" if output should only trigger during a closed schedule <input type="checkbox"/> 5 = "On" if output should only trigger during an open schedule <input type="checkbox"/> 6 = "On" if the output should be inverted <input type="checkbox"/> 7 = "On" if a trigger should be logged in event buffer <input type="checkbox"/> </td> <td> 1 = Partition 1 <input type="checkbox"/> 2 = Partition 2 <input type="checkbox"/> 3 = Partition 3 <input type="checkbox"/> 4 = Partition 4 <input type="checkbox"/> 5 = Partition 5 <input type="checkbox"/> 6 = Partition 6 <input type="checkbox"/> 7 = Partition 7 <input type="checkbox"/> 8 = Partition 8 <input type="checkbox"/> </td> </tr> </table>	Segment 1	Segment 2	1 = "On" if output should time in minutes; "Off" if output times in seconds <input type="checkbox"/> 2 = "On" if output should latch until a code is entered <input type="checkbox"/> 3 = "On" if output should reset if a code is entered while it is being timed <input type="checkbox"/> 4 = "On" if output should only trigger during a closed schedule <input type="checkbox"/> 5 = "On" if output should only trigger during an open schedule <input type="checkbox"/> 6 = "On" if the output should be inverted <input type="checkbox"/> 7 = "On" if a trigger should be logged in event buffer <input type="checkbox"/>	1 = Partition 1 <input type="checkbox"/> 2 = Partition 2 <input type="checkbox"/> 3 = Partition 3 <input type="checkbox"/> 4 = Partition 4 <input type="checkbox"/> 5 = Partition 5 <input type="checkbox"/> 6 = Partition 6 <input type="checkbox"/> 7 = Partition 7 <input type="checkbox"/> 8 = Partition 8 <input type="checkbox"/>				
Segment 1	Segment 2									
1 = "On" if output should time in minutes; "Off" if output times in seconds <input type="checkbox"/> 2 = "On" if output should latch until a code is entered <input type="checkbox"/> 3 = "On" if output should reset if a code is entered while it is being timed <input type="checkbox"/> 4 = "On" if output should only trigger during a closed schedule <input type="checkbox"/> 5 = "On" if output should only trigger during an open schedule <input type="checkbox"/> 6 = "On" if the output should be inverted <input type="checkbox"/> 7 = "On" if a trigger should be logged in event buffer <input type="checkbox"/>	1 = Partition 1 <input type="checkbox"/> 2 = Partition 2 <input type="checkbox"/> 3 = Partition 3 <input type="checkbox"/> 4 = Partition 4 <input type="checkbox"/> 5 = Partition 5 <input type="checkbox"/> 6 = Partition 6 <input type="checkbox"/> 7 = Partition 7 <input type="checkbox"/> 8 = Partition 8 <input type="checkbox"/>									
10	9	Output 3 Schedule								
		<table border="0"> <tr> <td>1 = Schedule 1 <input type="checkbox"/></td> <td>5 = Schedule 5 <input type="checkbox"/></td> </tr> <tr> <td>2 = Schedule 2 <input type="checkbox"/></td> <td>6 = Schedule 6 <input type="checkbox"/></td> </tr> <tr> <td>3 = Schedule 3 <input type="checkbox"/></td> <td>7 = Schedule 7 <input type="checkbox"/></td> </tr> <tr> <td>4 = Schedule 4 <input type="checkbox"/></td> <td>8 = Schedule 8 <input type="checkbox"/></td> </tr> </table>	1 = Schedule 1 <input type="checkbox"/>	5 = Schedule 5 <input type="checkbox"/>	2 = Schedule 2 <input type="checkbox"/>	6 = Schedule 6 <input type="checkbox"/>	3 = Schedule 3 <input type="checkbox"/>	7 = Schedule 7 <input type="checkbox"/>	4 = Schedule 4 <input type="checkbox"/>	8 = Schedule 8 <input type="checkbox"/>
1 = Schedule 1 <input type="checkbox"/>	5 = Schedule 5 <input type="checkbox"/>									
2 = Schedule 2 <input type="checkbox"/>	6 = Schedule 6 <input type="checkbox"/>									
3 = Schedule 3 <input type="checkbox"/>	7 = Schedule 7 <input type="checkbox"/>									
4 = Schedule 4 <input type="checkbox"/>	8 = Schedule 8 <input type="checkbox"/>									
11	9	Output 3 X-10 Address								
		Segment 1 Module Number	2							
		Segment 2 House Code (See chart on page 13)	0							
12	9	Output 4 Event, Zone, Time	43 4 10	---						
13	9	Output 4 Special Functions, Partition								
		<table border="0"> <tr> <th>Segment 1</th> <th>Segment 2</th> </tr> <tr> <td> 1 = "On" if output should time in minutes; "Off" if output times in seconds <input type="checkbox"/> 2 = "On" if output should latch until a code is entered <input type="checkbox"/> 3 = "On" if output should reset if a code is entered while it is being timed <input type="checkbox"/> 4 = "On" if output should only trigger during a closed schedule <input type="checkbox"/> 5 = "On" if output should only trigger during an open schedule <input type="checkbox"/> 6 = "On" if the output should be inverted <input type="checkbox"/> 7 = "On" if a trigger should be logged in event buffer <input type="checkbox"/> </td> <td> 1 = Partition 1 <input type="checkbox"/> 2 = Partition 2 <input type="checkbox"/> 3 = Partition 3 <input type="checkbox"/> 4 = Partition 4 <input type="checkbox"/> 5 = Partition 5 <input type="checkbox"/> 6 = Partition 6 <input type="checkbox"/> 7 = Partition 7 <input type="checkbox"/> 8 = Partition 8 <input type="checkbox"/> </td> </tr> </table>	Segment 1	Segment 2	1 = "On" if output should time in minutes; "Off" if output times in seconds <input type="checkbox"/> 2 = "On" if output should latch until a code is entered <input type="checkbox"/> 3 = "On" if output should reset if a code is entered while it is being timed <input type="checkbox"/> 4 = "On" if output should only trigger during a closed schedule <input type="checkbox"/> 5 = "On" if output should only trigger during an open schedule <input type="checkbox"/> 6 = "On" if the output should be inverted <input type="checkbox"/> 7 = "On" if a trigger should be logged in event buffer <input type="checkbox"/>	1 = Partition 1 <input type="checkbox"/> 2 = Partition 2 <input type="checkbox"/> 3 = Partition 3 <input type="checkbox"/> 4 = Partition 4 <input type="checkbox"/> 5 = Partition 5 <input type="checkbox"/> 6 = Partition 6 <input type="checkbox"/> 7 = Partition 7 <input type="checkbox"/> 8 = Partition 8 <input type="checkbox"/>				
Segment 1	Segment 2									
1 = "On" if output should time in minutes; "Off" if output times in seconds <input type="checkbox"/> 2 = "On" if output should latch until a code is entered <input type="checkbox"/> 3 = "On" if output should reset if a code is entered while it is being timed <input type="checkbox"/> 4 = "On" if output should only trigger during a closed schedule <input type="checkbox"/> 5 = "On" if output should only trigger during an open schedule <input type="checkbox"/> 6 = "On" if the output should be inverted <input type="checkbox"/> 7 = "On" if a trigger should be logged in event buffer <input type="checkbox"/>	1 = Partition 1 <input type="checkbox"/> 2 = Partition 2 <input type="checkbox"/> 3 = Partition 3 <input type="checkbox"/> 4 = Partition 4 <input type="checkbox"/> 5 = Partition 5 <input type="checkbox"/> 6 = Partition 6 <input type="checkbox"/> 7 = Partition 7 <input type="checkbox"/> 8 = Partition 8 <input type="checkbox"/>									

LOC	PG	DESCRIPTION	DEFAULT	DATA						
14	9	Output 4 Schedule								
		<table border="0"> <tr> <td>1 = Schedule 1 <input type="checkbox"/></td> <td>5 = Schedule 5 <input type="checkbox"/></td> </tr> <tr> <td>2 = Schedule 2 <input type="checkbox"/></td> <td>6 = Schedule 6 <input type="checkbox"/></td> </tr> <tr> <td>3 = Schedule 3 <input type="checkbox"/></td> <td>7 = Schedule 7 <input type="checkbox"/></td> </tr> <tr> <td>4 = Schedule 4 <input type="checkbox"/></td> <td>8 = Schedule 8 <input type="checkbox"/></td> </tr> </table>	1 = Schedule 1 <input type="checkbox"/>	5 = Schedule 5 <input type="checkbox"/>	2 = Schedule 2 <input type="checkbox"/>	6 = Schedule 6 <input type="checkbox"/>	3 = Schedule 3 <input type="checkbox"/>	7 = Schedule 7 <input type="checkbox"/>	4 = Schedule 4 <input type="checkbox"/>	8 = Schedule 8 <input type="checkbox"/>
1 = Schedule 1 <input type="checkbox"/>	5 = Schedule 5 <input type="checkbox"/>									
2 = Schedule 2 <input type="checkbox"/>	6 = Schedule 6 <input type="checkbox"/>									
3 = Schedule 3 <input type="checkbox"/>	7 = Schedule 7 <input type="checkbox"/>									
4 = Schedule 4 <input type="checkbox"/>	8 = Schedule 8 <input type="checkbox"/>									
15	9	Output 4 X-10 Address								
		Segment 1 Module Number	3							
		Segment 2 House Code (See chart on page 13)	0							
16	9	Output 5 Event, Zone, Time	43 5 10	---						
17	9	Output 5 Special Functions, Partition								
		Segment 1	Segment 2							
		1 = "On" if output should time in minutes; "Off" if output times in seconds <input type="checkbox"/> 2 = "On" if output should latch until a code is entered <input type="checkbox"/> 3 = "On" if output should reset if a code is entered while it is being timed <input type="checkbox"/> 4 = "On" if output should only trigger during a closed schedule <input type="checkbox"/> 5 = "On" if output should only trigger during an open schedule <input type="checkbox"/> 6 = "On" if the output should be inverted <input type="checkbox"/> 7 = "On" if a trigger should be logged in event buffer <input type="checkbox"/>	1 = Partition 1 <input type="checkbox"/> 2 = Partition 2 <input type="checkbox"/> 3 = Partition 3 <input type="checkbox"/> 4 = Partition 4 <input type="checkbox"/> 5 = Partition 5 <input type="checkbox"/> 6 = Partition 6 <input type="checkbox"/> 7 = Partition 7 <input type="checkbox"/> 8 = Partition 8 <input type="checkbox"/>							
18	9	Output 5 Schedule								
		<table border="0"> <tr> <td>1 = Schedule 1 <input type="checkbox"/></td> <td>5 = Schedule 5 <input type="checkbox"/></td> </tr> <tr> <td>2 = Schedule 2 <input type="checkbox"/></td> <td>6 = Schedule 6 <input type="checkbox"/></td> </tr> <tr> <td>3 = Schedule 3 <input type="checkbox"/></td> <td>7 = Schedule 7 <input type="checkbox"/></td> </tr> <tr> <td>4 = Schedule 4 <input type="checkbox"/></td> <td>8 = Schedule 8 <input type="checkbox"/></td> </tr> </table>	1 = Schedule 1 <input type="checkbox"/>	5 = Schedule 5 <input type="checkbox"/>	2 = Schedule 2 <input type="checkbox"/>	6 = Schedule 6 <input type="checkbox"/>	3 = Schedule 3 <input type="checkbox"/>	7 = Schedule 7 <input type="checkbox"/>	4 = Schedule 4 <input type="checkbox"/>	8 = Schedule 8 <input type="checkbox"/>
1 = Schedule 1 <input type="checkbox"/>	5 = Schedule 5 <input type="checkbox"/>									
2 = Schedule 2 <input type="checkbox"/>	6 = Schedule 6 <input type="checkbox"/>									
3 = Schedule 3 <input type="checkbox"/>	7 = Schedule 7 <input type="checkbox"/>									
4 = Schedule 4 <input type="checkbox"/>	8 = Schedule 8 <input type="checkbox"/>									
19	9	Output 5 X-10 Address								
		Segment 1 Module Number	4							
		Segment 2 House Code (See chart on page 13)	0							
20	9	Output 6 Event, Zone, Time	43 6 10	---						
21	9	Output 6 Special Functions, Partition								
		Segment 1	Segment 2							
		1 = "On" if output should time in minutes; "Off" if output times in seconds <input type="checkbox"/> 2 = "On" if output should latch until a code is entered <input type="checkbox"/> 3 = "On" if output should reset if a code is entered while it is being timed <input type="checkbox"/> 4 = "On" if output should only trigger during a closed schedule <input type="checkbox"/> 5 = "On" if output should only trigger during an open schedule <input type="checkbox"/> 6 = "On" if the output should be inverted <input type="checkbox"/> 7 = "On" if a trigger should be logged in event buffer <input type="checkbox"/>	1 = Partition 1 <input type="checkbox"/> 2 = Partition 2 <input type="checkbox"/> 3 = Partition 3 <input type="checkbox"/> 4 = Partition 4 <input type="checkbox"/> 5 = Partition 5 <input type="checkbox"/> 6 = Partition 6 <input type="checkbox"/> 7 = Partition 7 <input type="checkbox"/> 8 = Partition 8 <input type="checkbox"/>							

LOC	PG	DESCRIPTION	DEFAULT	DATA						
22	9	Output 6 Schedule								
		<table border="0"> <tr> <td>1 = Schedule 1 <input type="checkbox"/></td> <td>5 = Schedule 5 <input type="checkbox"/></td> </tr> <tr> <td>2 = Schedule 2 <input type="checkbox"/></td> <td>6 = Schedule 6 <input type="checkbox"/></td> </tr> <tr> <td>3 = Schedule 3 <input type="checkbox"/></td> <td>7 = Schedule 7 <input type="checkbox"/></td> </tr> <tr> <td>4 = Schedule 4 <input type="checkbox"/></td> <td>8 = Schedule 8 <input type="checkbox"/></td> </tr> </table>	1 = Schedule 1 <input type="checkbox"/>	5 = Schedule 5 <input type="checkbox"/>	2 = Schedule 2 <input type="checkbox"/>	6 = Schedule 6 <input type="checkbox"/>	3 = Schedule 3 <input type="checkbox"/>	7 = Schedule 7 <input type="checkbox"/>	4 = Schedule 4 <input type="checkbox"/>	8 = Schedule 8 <input type="checkbox"/>
1 = Schedule 1 <input type="checkbox"/>	5 = Schedule 5 <input type="checkbox"/>									
2 = Schedule 2 <input type="checkbox"/>	6 = Schedule 6 <input type="checkbox"/>									
3 = Schedule 3 <input type="checkbox"/>	7 = Schedule 7 <input type="checkbox"/>									
4 = Schedule 4 <input type="checkbox"/>	8 = Schedule 8 <input type="checkbox"/>									
23	9	Output 6 X-10 Address								
		Segment 1 Module Number	5							
		Segment 2 House Code (See chart on page 13)	0							
24	9	Output 7 Event, Zone, Time	43 7 10	---						
25	9	Output 7 Special Functions, Partition								
		<table border="0"> <tr> <th>Segment 1</th> <th>Segment 2</th> </tr> <tr> <td> 1 = "On" if output should time in minutes; "Off" if output times in seconds <input type="checkbox"/> 2 = "On" if output should latch until a code is entered <input type="checkbox"/> 3 = "On" if output should reset if a code is entered while it is being timed <input type="checkbox"/> 4 = "On" if output should only trigger during a closed schedule <input type="checkbox"/> 5 = "On" if output should only trigger during an open schedule <input type="checkbox"/> 6 = "On" if the output should be inverted <input type="checkbox"/> 7 = "On" if a trigger should be logged in event buffer <input type="checkbox"/> </td> <td> 1 = Partition 1 <input type="checkbox"/> 2 = Partition 2 <input type="checkbox"/> 3 = Partition 3 <input type="checkbox"/> 4 = Partition 4 <input type="checkbox"/> 5 = Partition 5 <input type="checkbox"/> 6 = Partition 6 <input type="checkbox"/> 7 = Partition 7 <input type="checkbox"/> 8 = Partition 8 <input type="checkbox"/> </td> </tr> </table>	Segment 1	Segment 2	1 = "On" if output should time in minutes; "Off" if output times in seconds <input type="checkbox"/> 2 = "On" if output should latch until a code is entered <input type="checkbox"/> 3 = "On" if output should reset if a code is entered while it is being timed <input type="checkbox"/> 4 = "On" if output should only trigger during a closed schedule <input type="checkbox"/> 5 = "On" if output should only trigger during an open schedule <input type="checkbox"/> 6 = "On" if the output should be inverted <input type="checkbox"/> 7 = "On" if a trigger should be logged in event buffer <input type="checkbox"/>	1 = Partition 1 <input type="checkbox"/> 2 = Partition 2 <input type="checkbox"/> 3 = Partition 3 <input type="checkbox"/> 4 = Partition 4 <input type="checkbox"/> 5 = Partition 5 <input type="checkbox"/> 6 = Partition 6 <input type="checkbox"/> 7 = Partition 7 <input type="checkbox"/> 8 = Partition 8 <input type="checkbox"/>				
Segment 1	Segment 2									
1 = "On" if output should time in minutes; "Off" if output times in seconds <input type="checkbox"/> 2 = "On" if output should latch until a code is entered <input type="checkbox"/> 3 = "On" if output should reset if a code is entered while it is being timed <input type="checkbox"/> 4 = "On" if output should only trigger during a closed schedule <input type="checkbox"/> 5 = "On" if output should only trigger during an open schedule <input type="checkbox"/> 6 = "On" if the output should be inverted <input type="checkbox"/> 7 = "On" if a trigger should be logged in event buffer <input type="checkbox"/>	1 = Partition 1 <input type="checkbox"/> 2 = Partition 2 <input type="checkbox"/> 3 = Partition 3 <input type="checkbox"/> 4 = Partition 4 <input type="checkbox"/> 5 = Partition 5 <input type="checkbox"/> 6 = Partition 6 <input type="checkbox"/> 7 = Partition 7 <input type="checkbox"/> 8 = Partition 8 <input type="checkbox"/>									
26	9	Output 7 Schedule								
		<table border="0"> <tr> <td>1 = Schedule 1 <input type="checkbox"/></td> <td>5 = Schedule 5 <input type="checkbox"/></td> </tr> <tr> <td>2 = Schedule 2 <input type="checkbox"/></td> <td>6 = Schedule 6 <input type="checkbox"/></td> </tr> <tr> <td>3 = Schedule 3 <input type="checkbox"/></td> <td>7 = Schedule 7 <input type="checkbox"/></td> </tr> <tr> <td>4 = Schedule 4 <input type="checkbox"/></td> <td>8 = Schedule 8 <input type="checkbox"/></td> </tr> </table>	1 = Schedule 1 <input type="checkbox"/>	5 = Schedule 5 <input type="checkbox"/>	2 = Schedule 2 <input type="checkbox"/>	6 = Schedule 6 <input type="checkbox"/>	3 = Schedule 3 <input type="checkbox"/>	7 = Schedule 7 <input type="checkbox"/>	4 = Schedule 4 <input type="checkbox"/>	8 = Schedule 8 <input type="checkbox"/>
1 = Schedule 1 <input type="checkbox"/>	5 = Schedule 5 <input type="checkbox"/>									
2 = Schedule 2 <input type="checkbox"/>	6 = Schedule 6 <input type="checkbox"/>									
3 = Schedule 3 <input type="checkbox"/>	7 = Schedule 7 <input type="checkbox"/>									
4 = Schedule 4 <input type="checkbox"/>	8 = Schedule 8 <input type="checkbox"/>									
27	9	Output 7 X-10 Address								
		Segment 1 Module Number	6							
		Segment 2 House Code (See chart on page 13)	0							
28	9	Output 8 Event, Zone, Time	43 8 10	---						
29	9	Output 8 Special Functions, Partition								
		<table border="0"> <tr> <th>Segment 1</th> <th>Segment 2</th> </tr> <tr> <td> 1 = "On" if output should time in minutes; "Off" if output times in seconds <input type="checkbox"/> 2 = "On" if output should latch until a code is entered <input type="checkbox"/> 3 = "On" if output should reset if a code is entered while it is being timed <input type="checkbox"/> 4 = "On" if output should only trigger during a closed schedule <input type="checkbox"/> 5 = "On" if output should only trigger during an open schedule <input type="checkbox"/> 6 = "On" if the output should be inverted <input type="checkbox"/> 7 = "On" if a trigger should be logged in event buffer <input type="checkbox"/> </td> <td> 1 = Partition 1 <input type="checkbox"/> 2 = Partition 2 <input type="checkbox"/> 3 = Partition 3 <input type="checkbox"/> 4 = Partition 4 <input type="checkbox"/> 5 = Partition 5 <input type="checkbox"/> 6 = Partition 6 <input type="checkbox"/> 7 = Partition 7 <input type="checkbox"/> 8 = Partition 8 <input type="checkbox"/> </td> </tr> </table>	Segment 1	Segment 2	1 = "On" if output should time in minutes; "Off" if output times in seconds <input type="checkbox"/> 2 = "On" if output should latch until a code is entered <input type="checkbox"/> 3 = "On" if output should reset if a code is entered while it is being timed <input type="checkbox"/> 4 = "On" if output should only trigger during a closed schedule <input type="checkbox"/> 5 = "On" if output should only trigger during an open schedule <input type="checkbox"/> 6 = "On" if the output should be inverted <input type="checkbox"/> 7 = "On" if a trigger should be logged in event buffer <input type="checkbox"/>	1 = Partition 1 <input type="checkbox"/> 2 = Partition 2 <input type="checkbox"/> 3 = Partition 3 <input type="checkbox"/> 4 = Partition 4 <input type="checkbox"/> 5 = Partition 5 <input type="checkbox"/> 6 = Partition 6 <input type="checkbox"/> 7 = Partition 7 <input type="checkbox"/> 8 = Partition 8 <input type="checkbox"/>				
Segment 1	Segment 2									
1 = "On" if output should time in minutes; "Off" if output times in seconds <input type="checkbox"/> 2 = "On" if output should latch until a code is entered <input type="checkbox"/> 3 = "On" if output should reset if a code is entered while it is being timed <input type="checkbox"/> 4 = "On" if output should only trigger during a closed schedule <input type="checkbox"/> 5 = "On" if output should only trigger during an open schedule <input type="checkbox"/> 6 = "On" if the output should be inverted <input type="checkbox"/> 7 = "On" if a trigger should be logged in event buffer <input type="checkbox"/>	1 = Partition 1 <input type="checkbox"/> 2 = Partition 2 <input type="checkbox"/> 3 = Partition 3 <input type="checkbox"/> 4 = Partition 4 <input type="checkbox"/> 5 = Partition 5 <input type="checkbox"/> 6 = Partition 6 <input type="checkbox"/> 7 = Partition 7 <input type="checkbox"/> 8 = Partition 8 <input type="checkbox"/>									

LOC	PG	DESCRIPTION	DEFAULT	DATA
30	9	Output 8 Schedule		
		1 = Schedule 1 <input type="checkbox"/> 5 = Schedule 5 <input type="checkbox"/> 2 = Schedule 2 <input type="checkbox"/> 6 = Schedule 6 <input type="checkbox"/> 3 = Schedule 3 <input type="checkbox"/> 7 = Schedule 7 <input type="checkbox"/> 4 = Schedule 4 <input type="checkbox"/> 8 = Schedule 8 <input type="checkbox"/>		
31	9	Output 8 X-10 Address		
		Segment 1 Module Number	7	
		Segment 2 House Code (See chart on page 13)	0	
32	9	Schedule 1 Opening Time	8 - 0	
33	10	Schedule 1 Closing Time	20 - 0	
34	10	Schedule 1 Days		
		1 = Sunday <input type="checkbox"/> 5 = Thursday <input type="checkbox"/> 2 = Monday <input type="checkbox"/> 6 = Friday <input type="checkbox"/> 3 = Tuesday <input type="checkbox"/> 7 = Saturday <input type="checkbox"/> 4 = Wednesday <input type="checkbox"/> 8 = Disabled on holidays <input type="checkbox"/>		
35	10	Schedule 2 Opening Time	8 - 0	
36	10	Schedule 2 Closing Time	20 - 0	
37	10	Schedule 2 Days		
		1 = Sunday <input type="checkbox"/> 5 = Thursday <input type="checkbox"/> 2 = Monday <input type="checkbox"/> 6 = Friday <input type="checkbox"/> 3 = Tuesday <input type="checkbox"/> 7 = Saturday <input type="checkbox"/> 4 = Wednesday <input type="checkbox"/> 8 = Disabled on holidays <input type="checkbox"/>		
38	10	Schedule 3 Opening Time	8 - 0	
39	10	Schedule 3 Closing Time	20 - 0	
40	10	Schedule 3 Days		
		1 = Sunday <input type="checkbox"/> 5 = Thursday <input type="checkbox"/> 2 = Monday <input type="checkbox"/> 6 = Friday <input type="checkbox"/> 3 = Tuesday <input type="checkbox"/> 7 = Saturday <input type="checkbox"/> 4 = Wednesday <input type="checkbox"/> 8 = Disabled on holidays <input type="checkbox"/>		
41	10	Schedule 4 Opening Time	8 - 0	
42	10	Schedule 4 Closing Time	20 - 0	
43	10	Schedule 4 Days (Circle the numbers to program)		
		1 = Sunday <input type="checkbox"/> 5 = Thursday <input type="checkbox"/> 2 = Monday <input type="checkbox"/> 6 = Friday <input type="checkbox"/> 3 = Tuesday <input type="checkbox"/> 7 = Saturday <input type="checkbox"/> 4 = Wednesday <input type="checkbox"/> 8 = Disabled on holidays <input type="checkbox"/>		
44	10	Schedule 5 Opening Time	8 - 0	
45	10	Schedule 5 Closing Time	20 - 0	
46	10	Schedule 5 Days		
		1 = Sunday <input type="checkbox"/> 5 = Thursday <input type="checkbox"/> 2 = Monday <input type="checkbox"/> 6 = Friday <input type="checkbox"/> 3 = Tuesday <input type="checkbox"/> 7 = Saturday <input type="checkbox"/> 4 = Wednesday <input type="checkbox"/> 8 = Disabled on holidays <input type="checkbox"/>		
47	10	Schedule 6 Opening Time	8 - 0	

LOC	PG	DESCRIPTION										
89	11	CODES 211-220 OUTPUT SELECTION (Circle the numbers to program)										
		User	211	212	213	214	215	216	217	218	219	220
		Output #1	1	1	1	1	1	1	1	1	1	1
		Output #2	2	2	2	2	2	2	2	2	2	2
		Output #3	3	3	3	3	3	3	3	3	3	3
		Output #4	4	4	4	4	4	4	4	4	4	4
		Output #5	5	5	5	5	5	5	5	5	5	5
		Output #6	6	6	6	6	6	6	6	6	6	6
		Output #7	7	7	7	7	7	7	7	7	7	7
		Output #8	8	8	8	8	8	8	8	8	8	8
90	11	CODES 221-230 OUTPUT SELECTION (Circle the numbers to program)										
		User	221	222	223	224	225	226	227	228	229	230
		Output #1	1	1	1	1	1	1	1	1	1	1
		Output #2	2	2	2	2	2	2	2	2	2	2
		Output #3	3	3	3	3	3	3	3	3	3	3
		Output #4	4	4	4	4	4	4	4	4	4	4
		Output #5	5	5	5	5	5	5	5	5	5	5
		Output #6	6	6	6	6	6	6	6	6	6	6
		Output #7	7	7	7	7	7	7	7	7	7	7
		Output #8	8	8	8	8	8	8	8	8	8	8
91	11	CODES 231-240 OUTPUT SELECTION (Circle the numbers to program)										
		User	231	232	233	234	235	236	237	238	239	240
		Output #1	1	1	1	1	1	1	1	1	1	1
		Output #2	2	2	2	2	2	2	2	2	2	2
		Output #3	3	3	3	3	3	3	3	3	3	3
		Output #4	4	4	4	4	4	4	4	4	4	4
		Output #5	5	5	5	5	5	5	5	5	5	5
		Output #6	6	6	6	6	6	6	6	6	6	6
		Output #7	7	7	7	7	7	7	7	7	7	7
		Output #8	8	8	8	8	8	8	8	8	8	8

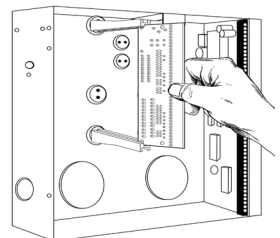
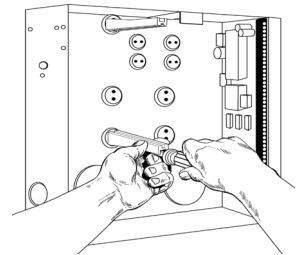
XIII. ENCLOSURE DIAGRAM

Inside the can, several 2-holed insertion points have been constructed. This allows for either vertical or horizontal placement of the modules. **Notice that the insertion points have two sizes of holes -- a larger hole and a smaller hole.**

Diagram 1: The black plastic PCB guides are grooved on one edge where the PC Board will be seated. The end with the half-moon protrusion fits into the larger hole. The smaller hole is for the screw.

Diagram 2: Place the *first* black plastic PCB guide in the top insertion point, grooved edge downward. The half-moon protrusion will be in the large hole. It does not require force. Insert one of the provided screws into the smaller hole (from inside the can) to secure it in place. A screwdriver should reach through the notch that runs the length of the guide to tighten the screw. The *second* PCB guide should be positioned opposite of the first (grooved edge up) and placed in the lower insertion point, using the same procedures described above. Once mounted, screw it in securely.

Diagram 3: The PC board should slide freely in the grooves of both guides.



XIV. SPECIFICATIONS

DIMENSIONS	1 " Width x 6 " Length x 3 " Depth
OPERATING POWER	12 VDC, Supplied from NX control panel or NX-320E
AUXILIARY POWER	Supplied by NX control panel or NX-320E Limited to 100 mA by NX-507E or NX-508E
NX-507E CURRENT DRAW	10 mA with no relays active 310 mA with all relays active + current draw of any device attached
NX-508E CURRENT DRAW	10 mA with no outputs active 25 mA with all outputs active + current draw of any device attached
OPERATING TEMPERATURE	32 to 120 degrees F
SHIPPING WEIGHT	1 lb.

COMPATIBLE NETWORK CONTROL PANELS:

NX-4	NX-6	NX-8	NX-8E	NX-8-CF	NX-8E-CF
NX-4V2	NX-6V2	NX-8V2			

UNDERWRITERS LABORATORIES LISTINGS:

UL365 Police Station Connected Burglar Alarm Units & Systems	NX-507E, NX-508E
UL609 Local Burglar Alarm Units & Systems	NX-507E, NX-508E
UL864 Control Units for Fire-Protective Signaling Systems	NX-507E only
UL985 Household Fire Warning Systems	NX-507E, NX-508E
UL1023 Household Burglar Alarm Systems	NX-507E, NX-508E
UL1610 Central Station Burglar Alarm Units	NX-507E, NX-508E
UL1635 Digital Alarm Communication System Units	NX-507E, NX-508E
UL1637 Home Health Care Signaling Equipment	NX-507E, NX-508E



Main 903-845-6941
Main Fax 903-845-6811

Technical Support 888-437-3287
Sales & Literature 800-547-2556
Web: www.gesecurity.com